



Elyssa Corporation

Manufacturers of Simple Solution Products

www.elyssacorp.com

www.digivue.com



- SECURITY
- SURVEILLANCE
- LED LIGHTING
- TECHNOLOGY
- INNOVATION

Manufacturers of
DIGIVUE
DIGITAL SECURITY
VIDEO RECORDING SYSTEMS

Elyssa Corporation

The mission of Elyssa Corporation is to provide Simple Solution Products that meet the specific needs of installers on the job. We continue to research, develop and bring to market new products that provide such solutions.

Elyssa Corporation benefits from a roster with combined experience of over one hundred years. From our design team to our knowledgeable sales force, we strive to provide superior products and a level of service that is beyond industry standards.

You can download a copy of this catalog at www.elyssacorp.com

Access Control	1-3
Intercoms	3
LED Lighting	4-12
Power Supplies	13
Computer Video	14
Digital Video Recorders (DVRs)	15
Camera / DVRs	15-17
Surveillance Warning Signs	18
Weatherproof Color Cameras	19
Video Baluns	19-20
Color Cameras and Lenses	20,23
CCTV Accessories	21
Vandal Resistant Dome Housings	21
Clubcam [®] Low Light Color Cameras	21
Color PTZ Cameras, Controllers and Accessories	22
Voice Logger Telephone Recording System	23
Video Inserter / Extracter System	24
RF Modulators & Amplifiers	25
RF and A/V Cables and Accessories	25,26

ABS-1000+



U.S. PATENT # 6130610



Universal Security System

- PASSIVE INFRARED DETECTOR
- HEAVY GAUGE STEEL CABINET
- WEIGHT (WITHOUT BATTERY): 11 LBS.
- DIMENSIONS: 9"W X 9"D X 7-1/4"H
- 115DB SIREN (1 MINUTE CUT-OFF / RESET)
- 2 KEY-CHAIN STYLE REMOTE CONTROLS
- OPERATING TEMPERATURE: -10° TO 110° F
- CHARGER FOR OPTIONAL BATTERY BACK-UP
- CURRENT CONSUMPTION IN ARMED MODE: 70MA
- CEILING OR WALL MOUNTABLE WITH SUPPLIED BRACKETS

The ABS-1000+ Security System is a self-contained system which is comprised of a control panel, motion sensing device and a 115dB siren, all built inside an easy to mount steel cabinet. Two remote controls are provided for easy arming and disarming of the system. Knock-outs are also provided for electrical conduit entry; and a plug-in DC power supply is included. There is also a separate compartment for an optional rechargeable back-up battery. Not only can the ABS-1000+ be used as a stand-alone system, but input terminals are provided to wire optional window and door switches, remote motion sensing devices, or temperature alert sensors, etc. 12 volt D.C. power is also provided to power these devices. An output is also provided with an on board relay giving you a 5 amp N.O. / N.C. dry contact activated when the unit is triggered. This can be used to trigger a dialer, a remote siren, central security system, etc. Terminals are provided for adding a remote on/off key switch and remote LED larmed indicator!

RA-02/RA-03



2 Button Transmitter for ABS-1000+ & EWC2 Receiver

- EASY CODE SETTING

The RA-02/RA-03 is a 2-button RF transmitter designed for use with the ABS-1000+ & EWC2 receiver.

ECTD-100



4-Number Telephone Dialer With Voice Output

Our ECTD-100 is designed to add easy to program telephone voice communication capability to virtually any alarm or notification system. It allows the installer to send a pre-recorded voice message to up to four designated telephone numbers.

- Password protection option
- Record or change message on site
- Custom recorded 10 second message (Power failure protected recording)
- Ideal for burglar/fire/low or high temperature/medical/panic alarm notification etc.
- Simple connection, just connect to the proper trigger, program, and plug into phone line

EWC-2



2-Channel Wireless Receiver with Onboard Timers and Relays

- UNIVERSAL OPERATION
- LONG RECEIVING RANGE
- EASY TRANSMITTER SETTING
- MOMENTARY, TIMED AND RATCHET RELAY MODES
- 12V / 24V AC/DC OPERATION
- HEAVY DUTY 5A CONTACTS

Control any two operations from a convenient, pocket sized remote. The EWC-2 is a 2-channel RF receiver designed for a wide range of applications. 2-channel operation permits control of 2 devices through separate 5A N.O./N.C. relay contacts, 1-60 sec./min timer & built-in ratchet relay with LED and piezo indicators for each channel. Power may be obtained from a 12 or 24 volt AC or DC source, and a built-in battery charger and connections for a 12 VDC backup battery are provided. Also provided is a fused 500mA power supply for auxiliary devices.

EC-MAG900KT



Door Handle Mount Electromagnetic Lock Kit

- 12 OR 24V DC POWER
- 2-WIRE OPERATION
- 600 LBS. HOLDING FORCE
- KIT INCLUDES HANDLE, LOCK, PUSHBUTTON KEY SWITCH PLATE AND HARDWARE
- CENTRAL DOOR MOUNTING PROVIDES TREMENDOUS LOCKING LEVERAGE

The EC-MAG900KT electromagnetic lock is a locking device concealed in an attractive brushed aluminum door pull. Designed for doors where an obvious locking device would be out of place, or unattractive. Perfect for professional offices, showrooms, or anywhere more subtle security is preferred.

EC-MAG900/M



Flush Mounting Electromagnetic Lock

- 2-WIRE OPERATION
- 12 OR 24V DC POWER
- 600 LBS. HOLDING FORCE
- REQUIRES 8½" X 1 9/16" OPENING

The EC-MAG900/M electromagnetic lock is a recessed locking device designed for mortised installation in the door frame. Providing maximum security on doors inconspicuously.

Access Control

EC-MAG1200



Electromagnetic Lock For Outswinging Doors

- 2-WIRE OPERATION
- 12 OR 24VDC POWER
- BUILT-IN RELEASE TIMER
- 1,200 LBS. HOLDING FORCE
- DIMENSIONS:
10½" X 1 5/8" X 2 5/8"

The EC-MAG1200 electromagnetic lock is a top jamb mount locking device designed for doors that open outward (an optional Z-bracket permits use with inswinging doors). Electromagnetic locks provide maximum security on doors that require frequent opening or where mechanical locks are undesirable due to dust or similar conditions that promote jams or excessive wear.

EC-ZB1200



Z-Bracket Kit For Inswinging Door

- ADAPTABLE 3-PIECE CONSTRUCTION

The ZB-1200 optional Z-bracket kit permits use of the EMAG-1200 lock with in-swinging doors.

EC-MM300



Ultra Compact Electromagnetic Lock for Outswinging Doors

- ONLY 1.5" X 6.5" X 7/8"
- 12 VDC POWER
- 2-WIRE OPERATION
- 300 LBS. HOLDING FORCE

The EC-MM300 electromagnetic lock is an extremely compact top jamb mount locking device designed for doors that open outward.† Its compact size makes it perfect for cabinets, tool bins, storage closets, compartments and many other applications.

EC-DS412



Universal Door Strike

- 12-16VAC / 12 VDC POWER
- MOST POPULAR PROFILE FOR WOOD OR METAL FRAMES
- CORROSION RESISTANT STAINLESS STEEL CONSTRUCTION
- FAIL SECURE OPERATION (REMAINS LOCKED WITH POWER OFF)
- SILENT OPERATION (DC POWER), OR BUZZER WHEN OPEN (AC POWER)
- IN-FRAME MOUNTING TABS INCLUDED

EC-PRK1



3-In-1 Entry Control

- ENTRY BY TAG, CODE, OR BOTH
- TAMPER SWITCH
- SELECTIVE USER DELETE
- OPERATES ALL TYPES OF DOOR STRIKES OR MAGNETIC LOCKS
- 255 USERS
- 3 AMP DRY CONTACT TRANSFER UPON ACTIVATION

The EC-PRK1 is a proximity tag reader, keypad and doorbell switch all built into one unit. It is easy to program and is in a clean, low profile housing. Included are 10 key fob tags.

EC-PT10



Additional Key Fob Proximity Tags

- PACKAGE OF 10 UNITS



Mullion Mount Push-Button Switch Plates

PUSH TO EXIT:

- ECPB20L LONG PLATE
7" X 1 11/16"
- ECPB20S SHORT PLATE
5 13/16" X 1 13/16"

BLANK:

- ECPB20SB SHORT PLATE
5 13/16" X 1 13/16"

- PROVIDES EGRESS FROM AREAS PROTECTED WITH ELECTRIC STRIKES OR ELECTROMAGNETIC LOCKS
- HEAVY GAUGE SOLID ALUMINUM CONSTRUCTION
- NORMALLY OPEN & NORMALLY CLOSED CONTACTS PROVIDED



Mullion Mount Key Switch Plates

- ECKS40L LONG PLATE
7" X 1 11/16"
- ECKS40S SHORT PLATE
5 13/16" X 1 13/16"
- FITS STANDARD MORTISE CYLINDER
- LOCK CYLINDER NOT INCLUDED
- PROVIDES OUTSIDE ENTRY TO AREAS PROTECTED WITH ELECTRIC STRIKES OR ELECTROMAGNETIC LOCKS
- HEAVY GAUGE SOLID ALUMINUM CONSTRUCTION
- NORMALLY OPEN & NORMALLY CLOSED CONTACTS PROVIDED



Door Lock Timers with On-Board Piezo Sounder

- ET-01
- 12-24VAC/VDC POWER
- BUILT-IN PIEZO SOUNDER
- ADJUSTABLE TIMING INTERVAL
- VOLTAGE OR DRY CONTACT TRIGGER
- N.O./N.C. 2 AMP RELAY & VOLTAGE OUTPUTS
- ADHESIVE MOUNTING STRIPS

Access Control

ET-02



Universal Timer

- 12-24VAC/VDC POWER
- HEAVY DUTY 8 AMP / 250 VAC CONTACTS
- ADJUSTABLE TIMING INTERVALS - 1-60 SECONDS
1-60 MINUTES
- DUAL N.O./N.C. RELAY OUTPUTS
- ADHESIVE MOUNTING STRIPS
- MULTI TIMING MODES - DELAY ON OPERATE, ONE SHOT MODE, DELAY TRIGGER CYCLE AND DELAY TRIGGER
- VOLTAGE OR SWITCHED INPUT TRIGGERS
- LED INDICATORS

ERM-01



Universal Relay

- 12 OR 24VAC/VDC POWER
- HEAVY DUTY 8 AMP / 250 VAC CONTACTS
- LOW CURRENT (35MA) INPUT TRIGGER
- DUAL N.O./N.C. RELAY OUTPUTS
- ADHESIVE MOUNTING STRIPS

Intercoms

ECA-345



Apartment Intercom Amplifier

This intercom amplifier is a self-contained unit not requiring an external amplifier. It is designed for use with our ECI-345 or with most 3, 4, or 5 wire type stations. It will provide amplification control and the power circuits needed to operate a complete apartment intercom system. Voice and tone volume are easily adjustable as well. Output for door lock included.

ECI-345



3, 4 or 5 Wire Intercom Station

This versatile intercom station can be used in new and to replace existing installations using 3, 4 or 5 wire systems. With its universal mounting holes, the ECI-345 will align perfectly when replacing most existing surface mount and flush mount intercom stations.

ECI-345P



Intercom Station Trim Plate

- ADAPTS ECI-345 TO COVER A 9" X 7" OPENING
- SNAP-ON FIT
- NO TOOLS REQUIRED FOR ASSEMBLY

ECOM-1



Door Intercom Kit

This intercom kit offers simple installation and ease of operation. It is designed for use in homes, offices, reception areas, loading docks, construction sites, schools, houses of worship, retail stores, & more. It will provide 2-way communication over 2 wires and door release control with an additional 2 wires. Existing doorbell wires may be used if transformer is removed from circuit. Two or more kits may be combined for multiple Master Stations and multiple Door/Sub Stations.

- NICE AUDIBLE TONE
- ADJUSTABLE VOLUME CONTROL
- CONVENIENT SURFACE MOUNT DESIGN
- SELECTABLE AUDIO MONITORING/SILENT STAND BY
- HANDS FREE COMMUNICATION FROM DOOR/SUB
- POLYPROPOPYLENE SPEAKER IN SUB FOR LONG LIFE
- WEATHERPROOF PUSH BUTTON ON SUB SENDS TONE TO MASTER
- QUALITY PUSH BUTTONS FOR YEARS OF TROUBLE FREE SERVICE
- DOOR RELEASE SUPPLIES DRY CONTACT OR VOLTAGE FOR DOOR STRIKE*

*Selectable Voltage Output Option is 12VDC -Operates most door strikes)

- WEATHERPROOF, DURABLE, ATTRACTIVE, BRUSHED ALLUMINUM DOOR/SUB STATION (PAINTABLE)

ECOM-1 Kit Includes:

- 1) Model ECOM1-M ----- Master
- 1) Model ECOM1-S ----- Sub Station
- 1) Model ECOM1-PS ----- Power Supply

LED Replacement Lighting

RLED5W



5 Watt LED Replacement Lamp

- 5 Watt output
- 50,000 hours operating lifetime
- High efficiency low energy LEDs save energy
- Standard E27 screw base replaces regular light bulb

450 Lumens

EC-RLED9W



9 Watt LED Replacement Lamp

- 9 Watt output
- 50,000 hours operating lifetime
- High efficiency low energy LEDs save energy
- Standard E27 screw base replaces regular light bulb

810 Lumens

EC-RLED18W



18 Watt LED Replacement Lamp

- 18 Watt output
- 50,000 hours operating lifetime
- High efficiency low energy LEDs save energy
- Standard E27 screw base replaces regular light bulb

1620 Lumens

EC-RLEDC3W



LED Candelabra (E12) Base Replacement Lamp

- 3 Watt output
- 50,000 hours operating lifetime
- High efficiency low energy LEDs save energy
- E12 (Candelabra) screw base replaces regular light bulb

300 Lumens

EC-RLEDCF3W



LED Flame Candelabra (E12) Base Replacement Lamp

- 3 Watt output
- 50,000 hours operating lifetime
- High efficiency low energy LEDs save energy
- E12 (Candelabra) screw base replaces regular light bulb

300 Lumens

EC-FLED



Super Bright 3 LED Replacement Spot Lamp

- 3 Watt output
- 50,000 hours operating lifetime
- Operating voltage: 85-265 Volts
- High efficiency low energy LEDs save energy
- Standard E27 screw base replaces regular light bulb

300 Lumens

EC-E27S-5W



5W LED Screw Base (E27) Spot Light

- 5 Watt output
- Lighting angle - 30 degrees
- 50,000 hours operating lifetime
- Operating voltage: 85-265 Volts
- Dimension : F50 x 75 mm (1.96" x 2.95")
- High efficiency low energy LEDs save energy
- Standard E27 screw base replaces regular light bulb

475 Lumens

EC-GU10S-5W



5W LED Bi-Pin Twist-Lock (GU10) Base Spot Light

- 5 Watt output
- Lighting angle - 30 degrees
- 50,000 hours operating lifetime
- Operating voltage: 85-265 Volts
- Dimension : F50 x 75 mm (1.96" x 2.95")
- High efficiency low energy LEDs save energy
- GU10 bi-pin base replaces twist-lock light bulb

475 Lumens

LED Replacement Lighting

EC-PARLED5W

5W LED Dimmable Par Light with 5 LEDs



- Beam Angle: 30°
- Output Power: 5W
- Dimension : F95 x 100 mm
- Lifetime: Over 50,000 hours
- Input voltage: AC 85-265V 50/60 Hz
- Color Temperature : White 4000-7000K
- Standard E27 screw base replaces PAR 30 light bulb

450 Lumens

EC-PARLED9W

9W LED Dimmable Par Light with 9 LEDs



- Beam Angle: 30°
- Output Power: 9W
- Lifetime: Over 50,000 hours
- Dimension : F122 x 130 mm
- Input voltage: AC 85-265V 50/60 Hz
- Color Temperature : White 4000-7000K
- Standard E27 screw base replaces PAR 38 light bulb

810 Lumens

EC-PARLED12W

12W LED Dimmable Par Light with 12 LEDs



- Beam Angle: 30°
- Output Power: 12W
- Lifetime: Over 50,000 hours
- Dimension : F122 x 130 mm
- Input voltage: AC 85-265V 50/60 Hz
- Color Temperature : White 4000-7000K
- Standard E26 screw base replaces regular light bulb

1215 Lumens

Weatherproof LED Outdoor Lighting

EC-WPLED

Sealed Weatherproof Flood Light



- 10 Watt output
- 50,000 hours operating lifetime
- Operating voltage: 85-265 Volts
- High efficiency low energy LEDs save energy
- Adjustable angle weatherproof metal housing

900 Lumens

EC-WPLED-RGB

10W Sealed Weatherproof RGB LED Flood Light with Wireless Remote Control



- 10 Watt output
- 50,000 hours operating lifetime
- Operating voltage: 85-265 Volts
- Adjustable angle weatherproof metal housing
- 16 colors (Red,blue,green, plus 12 color palette)
- 4 patterns (Flash, strobe, fade, & smooth dissolve)

900 Lumens

EC-WPLED-RGB-30

30W Sealed Weatherproof RGB LED Flood Light with Wireless Remote Control



- 30 Watt output
- Angle: 120 Deg.
- 50,000 hours operating lifetime
- Operating voltage: 85-265 Volts
- Adjustable angle weatherproof metal housing
- 16 colors (Red,blue,green, plus 12 color palette)
- 4 patterns (Flash, strobe, fade, & smooth dissolve)

2700 Lumens

Weatherproof LED Outdoor Lighting

EC-WPLED-RGB-50 50W Sealed Weatherproof RGB LED Flood Light with Wireless Remote Control



- 50 Watt output
- Angle: 120 Deg.
- 50,000 hours operating lifetime
- Operating voltage: 85-265 Volts
- Adjustable angle weatherproof metal housing
- 16 colors (Red,blue,green, plus 12 color palette)
- 4 patterns (Flash, strobe, fade, & smooth dissolve)

4500 Lumens

Weatherproof LED Outdoor Motion Sensor Lighting

EC-WPLED-MS50 50W Sealed Weatherproof LED Motion Sensor Flood Light with Wireless Remote Control



- Beam Angle: 120 Deg.
- Source Life: > 50,000 hours
- Work Voltage: AC 85 -265V, 50/60Hz
- Light control: 3-2000LUX (Adjustable)
- Time Delay: 10 sec to 7min(+/- 5%) (Adjustable)
- Detection distance: 4 ~12m (13.1' x 39.36') (Adjustable)
- Die-cast aluminum construction & toughened glass lens



4500 Lumens

EC-WPLED-MS30 30W Sealed Weatherproof LED Motion Sensor Flood Light with Wireless Remote Control



- Beam Angle: 120 Deg.
- Source Life: > 50,000 hours
- Work Voltage: AC 85 -265V, 50/60Hz
- Light control: 3-2000LUX (Adjustable)
- Time Delay: 10 sec to 7min(+/- 5%) (Adjustable)
- Detection distance: 4 ~12m (13.1' x 39.36') (Adjustable)
- Die-cast aluminum construction & toughened glass lens



2700 Lumens

EC-WPLED-MS20 20W Sealed Weatherproof LED Motion Sensor Flood Light with Wireless Remote Control



- Beam Angle: 120 Deg.
- Source Life: > 50,000 hours
- Work Voltage: AC 85 -265V, 50/60Hz
- Light control: 3-2000LUX (Adjustable)
- Time Delay: 10 sec to 7min(+/- 5%) (Adjustable)
- Detection distance: 4 ~12m (13.1' x 39.36') (Adjustable)
- Die-cast aluminum construction & toughened glass lens



1800 Lumens

EC-WPLED-MS10 10W Sealed Weatherproof LED Motion Sensor Flood Light with Wireless Remote Control



- Beam Angle: 120 Deg.
- Source Life: > 50,000 hours
- Work Voltage: AC 85 -265V, 50/60Hz
- Light control: 3-2000LUX (Adjustable)
- Time Delay: 10 sec to 7min(+/- 5%) (Adjustable)
- Detection distance: 4 ~12m (13.1' x 39.36') (Adjustable)
- Die-cast aluminum construction & toughened glass lens



900 Lumens

LED RGB Remote Controlled Lighting

EC-FLED-RGB Super Bright RGB LED 16-Color, 4-Effect Floodlight with Wireless Controller



- 3 Watts power
- Adjustable intensity
- Standard screw base
- 60° angle of coverage
- Lifetime over 50,000 hours
- Operating voltage: 85-265 Volts
- Slimline IR wireless remote control touchpad
- 16 colors (Red,blue,green, plus 12 color palette)
- 4 patterns (Flash, strobe, fade, & smooth dissolve)

300 Lumens

LED RGB Remote Controlled Lighting

EC-FLED-CRS



RGB LED Crystal Light 16-Color, 4-Effect Lamp with Wireless Controller

- 3 Watts power
- Adjustable intensity
- Standard screw base
- 60° angle of coverage
- Lifetime over 50,000 hours
- Operating voltage: 85-265 Volts
- Slimline IR wireless remote control touchpad
- 16 colors (Red,blue,green, plus 12 color palette)
- 4 patterns (Flash, strobe, fade, & smooth dissolve)

300 Lumens

LED Recessed Lighting

EC-LED-1WR



1 LED Adjustable Slimline Recessed Light

- 1 Watt output
- 50,000 hours operating lifetime
- Operating voltage: 85-265 Volts
- Lamp housing pivots for precise aiming
- Dimensions: .75" Deep x 2.12" Dia. (1.6" mtg. hole)
- Easy mount spring loaded tabs lock unit into wall/ceiling

ONLY 3/4 In. Thick!

100 Lumens

EC-LED-3WR



Super Bright 3 LED Adjustable Recessed Light

- 3 Watt output
- 50,000 hours operating lifetime
- Operating voltage: 85-265 Volts
- Lamp housing pivots for precise aiming
- Dimensions: 1.75" Deep x 3.25" Dia. (2.5" mtg. hole)
- Easy mount spring loaded tabs lock unit into wall/ceiling

300 Lumens

EC-LED-7WR



7W LED Adjustable Recessed Ceiling Light

- 7 Watt output
- 30 Deg. beam angle
- 50,000 hours operating lifetime
- Operating voltage: 85-265 Volts
- Lamp housing pivots for precise aiming
- Dimension : F110 x 68 mm (4.33" x 2.67");
Cut Size : F88 mm (3.46")
- Easy mount spring loaded tabs lock unit into wall/ceiling

580 Lumens

EC-LED-9WR



9W LED Adjustable Recessed Ceiling Light

- 9 Watt output
- 30 Deg. beam angle
- 50,000 hours operating lifetime
- Operating voltage: 85-265 Volts
- Lamp housing pivots for precise aiming
- Dimension : F134 x 71 mm (5.25" x 2.8");
Cut Size : F117 mm (4.6")
- Easy mount spring loaded tabs lock unit into wall/ceiling

810 Lumens

EC-LED-18WR



18W LED Adjustable Recessed Ceiling Light

- 18 Watt output
- 30 Deg. beam angle
- 50,000 hours operating lifetime
- Operating voltage: 85-265 Volts
- Lamp housing pivots for precise aiming
- Dimension : F160 x 117 mm (6.3" x 4.6");
Cut Size : F130 mm (5.1")
- Easy mount spring loaded tabs lock unit into wall/ceiling

1620 Lumens

LED Recessed Lighting

EC-RDL-15W

7.4" LED Round Recessed Downlight with Driver



- 15 Watt output
- 120 Deg. beam angle
- 50,000 hours operating lifetime
- Operating voltage: 85-265 Volts
- Dimension : F189 x 72 mm (7.44" x 2.83")

1350 Lumens

EC-RDL-18W

9" LED Round Recessed Downlight with Driver



- 18 Watt output
- 120 Deg. beam angle
- 50,000 hours operating lifetime
- Operating voltage: 85-265 Volts
- Dimension : F230 x 85 mm (9.05" x 3.34")

1620 Lumens

LED Panel Lighting

EC-1X1CPLED-W

11.8" LED Square Panel Light with Driver



- 12 Watt output
- 120 Deg. beam angle
- 50,000 hours operating lifetime
- Operating voltage: 85-265 Volts
- Dimension : F300 x 300 x 18 mm (11.8" x 11.8 x 0.7")

800 Lumens

EC-2X2CPLED-W

2' LED White Square Panel Light



- Beam Angle: 120°
 - Output Power: 40 W
 - Lumious Flux : 2,400LM
 - Lifetime: Over 50,000 hours
 - Input voltage: AC 85-265V 50/60 Hz
 - Dimension : 600 x 600 x 18 mm (23.6" x 23.6" x 0.7")
 - Energy saving, low power consumption, long life expectancy.
- More Energy efficient than Incandescent and most Halogen Lamps

*Replaces Standard
2' x2' Ceiling Tile!*

2400 Lumens

EC-2X2CPLED-RGB

2' LED RGB Square Panel Light



**16 COLORS
&
4 PATTERNS**

- Beam Angle: 120°
- Output Power: 40 W
- Lumious Flux : 2,400LM
- Lifetime: Over 50,000 hours
- Input voltage: AC 85-265V 50/60 Hz
- 16 colors (Red,blue,green, plus 12 color palette)
- 4 patterns (Flash, strobe, fade, & smooth dissolve)
- Dimension : 600 x 600 x 18 mm (23.6" x 23.6" x 0.7")



**Wireless Remote
Control!**

*Replaces Standard
2' x2' Ceiling Tile!*

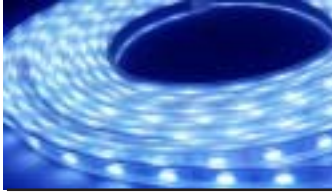
2400 Lumens

LED Single Color Striplights and Dimmers

EC-SLED-W (White) Super Bright 1 Color LED 5 M (16.4') Striplight

EC-SLED-B (Blue)

EC-SLED-R (Red)



- 60 LEDs per meter
- Lifetime over 50,000 hours
- 2 Amps current draw per roll
- Adhesive backed for easy mounting
- 14.4 Watts per meter (72 Watts per roll)
- Waterproof for outdoor installations (IP65)

4300 Lumens

EC-IRWMDIM

Wall Mount LED Dimmer with IR Remote



- Static power consumption 1W
- Supply voltage: 5/6/12/24 VDC
- Single color 8A maximum load
- Output power: 40W@5V, 96W@12V, 192W@24V

For Single Color
LED Striplights

EC-MDIM

12V 2A Inline Manual LED Dimmer



- Static power consumption 1W
- Supply voltage: 5/6/12/24 VDC
- Single color 2A maximum load
- Output power: 10W@5V, 24W@12V, 48W@24V

For Single Color
LED Striplights

EC-RFDIM

Wireless LED Dimmer with RF Remote



- Static power consumption 1W
- Supply voltage: 5/12/24 VDC
- Single color 8A maximum load
- Output power: 40W@5V, 96W@12V, 192W@24V

For Single Color
LED Striplights

LED RGB Striplights

EC-SLED-CHS

With Motion Functions!

Super Bright Chasing RGB LED 5 M (16.4') 16-Color, 93-Effect Striplight w/ RF Controller



- 60 LEDs per meter
- Adjustable intensity
- RF wireless remote control
- Lifetime over 50,000 hours
- 2 Amps current draw per roll
- 14.4 Watts per meter (72 Watts per roll)
- Waterproof for outdoor installations (IP65)
- 16 colors (Red, blue, green, plus 12 color palette)
- 93 patterns (Multiple chase modes, flash, fade, dissolve, & more)

Chase Light
Functions and
More

4300 Lumens

EC-SLED-CHS-2

Super Bright Chasing w/Reverse RGB LED 5 M (16.4') 7-Color, 9-Effect Striplight w/ RF Controller



- 60 LEDs per meter
- Lifetime over 50,000 hours
- 2 Amps current draw per roll
- Adjustable intensity & speed
- Adhesive backed for easy mounting
- 14.4 Watts per meter (72 Watts per roll)
- Waterproof for outdoor installations (IP65)
- Slimline IR wireless remote control touchpad
- 7 colors (Red, white, lt. blue, dk. blue, green, orange, & purple)
- 9 modes (Fwd/rev chase, solid, flash, strobe, and fast/slow fade & dissolve)

4300 Lumens

LED RGB Striplights

EC-SLED-RGB

Super Bright RGB LED 5 M (16.4') 16-Color, 4-Effect Striplight with Wireless Controller



- 60 LEDs per meter
- Adjustable intensity
- Lifetime over 50,000 hours
- 2 Amps current draw per roll
- Adhesive backed for easy mounting
- 14.4 Watts per meter (72 Watts per roll)
- Waterproof for outdoor installations (IP65)
- Slimline IR wireless remote control touchpad
- 16 colors (Red,blue,green, plus 12 color palette)
- 4 patterns (Flash, strobe, fade, & smooth dissolve)

4300 Lumens

LED RGB Sign/Display Modules

EC-SLED-3LR* (Red)

EC-SLED-3LB* (Blue)

EC-SLED-3LW* (White)

EC-SLED-3LG* (Green)

EC-SLED-3LRGB** (RGB)

LED Sign/Display Modules 20 Mini Striplight Blocks



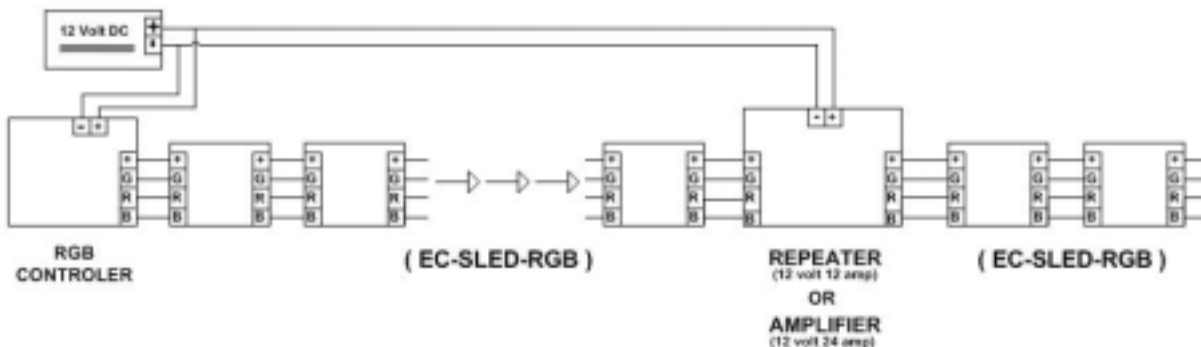
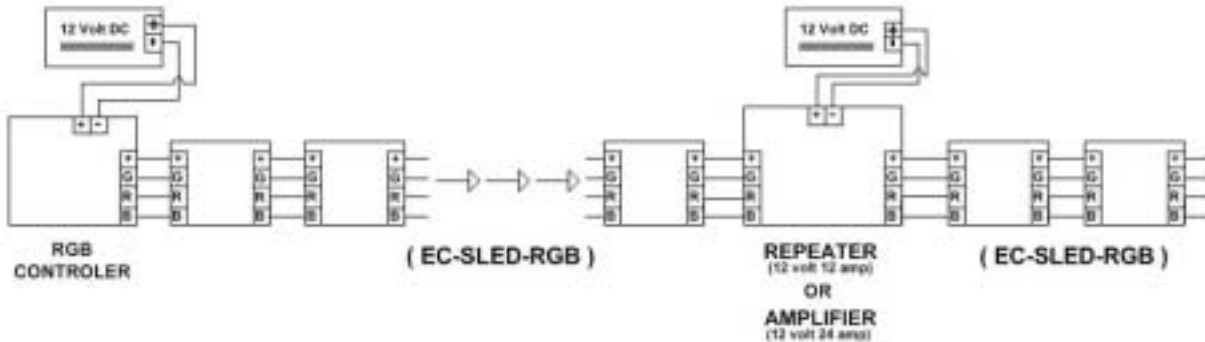
20 strips of 3 super bright LEDs on 3 in. plastic brackets with screw mount ears and adhesive backing, connect easily to power, controller, &/or other strips via attached pigtail leads. Use as a block, cut into individual strips, or groups of strips for the desired patterns. May be cut, masked, or mixed as desired; great for signage, window displays, and other custom designs.

- 3 LEDs per strip
- Adjustable intensity
- Lifetime over 50,000 hours
- Adhesive backed for easy mounting
- Waterproof for outdoor installations (IP65)

* Can use any 1-color striplight dimmers shown on page 9

** Can use any RGB striplight controllers shown on pages 11 & 12

Wiring Diagrams



LED RGB Striplight Controllers

EC-LED-RGB-CTR Additional RGB Striplight Controller



- Adjustable intensity
- Slimline IR wireless remote control touchpad
- 16 colors (Red,blue,green, plus 12 color palette)
- 4 patterns (Flash, strobe, fade, & smooth dissolve)

EC-RF-TOUCH Touch Ring RGB RF Striplight Controller



- Output power: 216W
- Supply voltage: 12/24 VDC
- Static power consumption 1W
- Three color 24A maximum load (8A / color)



EC-RF-8KEY 8 Key RGB RF Striplight Controller



- Static power consumption 1W
- Supply voltage: 5/12/24 VDC
- Three color 12A maximum load (4A / color)
- Output power: 60W@5V, 144W@12V, 288W@24V

EC-RF-20KEY 20 Key RGB RF Striplight Controller



- Static power consumption 1W
- Supply voltage: 5/6/12/24 VDC
- Three color 6A maximum load (2A / color)
- Output power: 30W@5V, 72W@12V, 144W@24V

EC-IR-44KEY 44 Key RGB IR Striplight Controller



- Static power consumption 1W
- Supply voltage: 6/12/24 VDC
- Three color 6A maximum load (2A / color)
- Output power: 30W@5V, 72W@12V, 144W@24V

LED Lighting Accessories

EC-RGBR Inline Amplifier



- Supply voltage: 12/24 VDC
- 3 color 12A maximum load (4A / color)

EC-RGBAMP RGB Amplifier



- Static power consumption 1W
- Supply voltage: 12/24 VDC
- 3 color 24A maximum load (8A / color)

LED Lighting Accessories

EC-DMX512D Decoder Module



Requires Use of DMX512 Software or Controller

- Static power consumption 1W
- Supply voltage: 12/24 VDC
- 3 color 9A maximum load (3A / color)

Computer Control of Individual Striplights In Multiple Installations

LED Strip Lighting Connectors

LED-PCMF Striplight Connector



- Converts from male to female via plug-in coupler
- Use to add additional strips or to divide one strip for multiple controllers

For All LED Striplights

EC-2WCHC 2-Wire Striplight Harness 10mm Coupler



- Snap-on no soldering connectors
- Use to provide flexible joint between two single color striplights or striplight sections

For Single Color LED Striplights

EC-2WJC Snap On 2.1 DC Jack 10mm Connector



- Snap-on no soldering connector
- Use to power a single color striplight or striplight section

For Single Color LED Striplights

EC-4WC 4-Wire RGB Striplight 10mm Coupler



- Snap-on no soldering connectors
- Use to join two RGB striplights or striplight sections

For RGB LED Striplights

EC-4WCH 4-Wire RGB Striplight Harness 10mm Connector



- Snap-on no soldering connector
- Use to provide wiring pigtails for an RGB striplight or striplight section

For RGB LED Striplights

EC-4WCH 4-Wire RGB Striplight Harness 10mm Coupler



- Snap-on no soldering connectors
- Use to provide flexible joint between two RGB striplights or striplight sections

For RGB LED Striplights

Power Supply Connectors

EPC-21DCM 2.1mm DC Power Supply Plug With Cord



- 6 FT CORD WITH DC PLUG TO PIGTAIL LEADS

EPC-21DCF 2.1mm DC Power Supply Jack With Cord



- 6 FT CORD WITH DC JACK TO PIGTAIL LEADS

EC-1224ACDC 12-24V AC / 12V DC Camera Power Converter



This compact inverter provides stable 12 VDC@500mA power (Required by most modern cameras) from existing 12-24 VAC power supplies. Ideal for retro-fit installations. The DC output to the camera and the AC power input is via wire pigtails for flexibility of installation.

Power Supplies

ECPS-12500(500mA) Plug-In Regulated Power Supplies

EC-LED-PS1(1A)

EC-LED-PS3(3A)



- Regulated output
- 120/220 input - 12 VDC output

*For Cameras,
LED Striplights, Etc.*

EC-LED-PS4

4 Amp Plug-In Regulated Power Supply



- Regulated output
- 120/220 input - 12 VDC output

*For Cameras,
LED Striplights, Etc.*

EC-LED-PS6

6 Amp Plug-In Regulated Power Supply



- Regulated output
- 120/220 input - 12 VDC output

*For Cameras,
LED Striplights, Etc.*

EC-LED-PS10

10 Amp Plug-In Regulated Power Supply



- Regulated output
- 120/220 input - 12 VDC output

*For Cameras,
LED Striplights, Etc.*

EC-LED-PS15 15 Amp Plug-In Regulated Power Supply



- Regulated output
- 120/220 input - 12 VDC output

*For Cameras,
LED Striplights, Etc.*

EC-LED-PS20 20 Amp Plug-In Regulated Power Supply



- Regulated output
- 120/220 input - 12 VDC output

*For Cameras,
LED Striplights, Etc.*

EC-LED-PS30 30 Amp Plug-In Regulated Power Supply



- Regulated output
- 120/220 input - 12 VDC output

*For Cameras,
LED Striplights, Etc.*

Digital Video Security

EDV-EX04



DigiVue® 4-Channel H.264 / D1 Resolution PCI-e DVR Card



Smartphone Support



Compatible with
Windows™ * XP™, Vista™,
& Windows 7™
(32 & 64 bit)

SPECIFICATIONS:

- IMAGE QUALITY: SUPER HIGH QUALITY D1 RESOLUTION (11-BITS ADCS)
- IMAGE COMPRESSION: H.264 OPTIMIZED, OR MPEG4; RATIO: 8-150M/H/C
- VIDEO TOTAL FRAME RATE: 4 CHANNEL: 120 FPS
- DISPLAY / RECORDING RESOLUTION: 320 X 240, D1 (720 X 480)
- OPERATING SYSTEM: WINDOWS XP / VISTA / 7 (32 / 64 BIT)
- REMOTE MONITORING CAPABILITIES VIA LAN, WAN, OR INTERNET
- MULTI SCREEN MONITORING: 1,4,9,16,25, 36 & SPLIT SCREEN
- MULTI-USER AUTHORITY MANAGEMENT SETUP FOR USER ACCESS LEVEL CONTROL
- SUPPORTS MOTION DETECTION TRIGGERED VIDEO RECORDING WITH E-MAIL AND AUDIBLE ALERTS
- NETWORK MANAGEMENT FUNCTIONS INCLUDE: REMOTE SPOT MONITORING, REMOTE HISTORY PLAYBACK, REMOTE SPOT VIDEO RECORDING, REMOTE HISTORY VIDEO RECORDING, ETC
- ZOOM, SNAPSHOT, AND EXE FORMAT BACKUP CAPABILITY
- SUPPORTS LOCAL AND REMOTE PTZ CONTROL
- AND MUCH MORE!



EDV-EX08



DigiVue® 8-Channel H.264 / D1 Resolution PCI-e DVR System



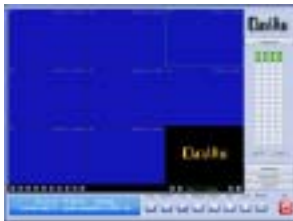
Smartphone Support



Compatible with
Windows™ * XP™, Vista™,
& Windows 7™
(32 & 64 bit)

SPECIFICATIONS:

- IMAGE QUALITY: SUPER HIGH QUALITY D1 RESOLUTION (11-BITS ADCS)
- IMAGE COMPRESSION: H.264 OPTIMIZED, OR MPEG4; RATIO: 8-150M/H/C
- VIDEO TOTAL FRAME RATE: 8 CHANNEL: 240 FPS
- DISPLAY / RESOLUTION: 320 X 240, D1 (720 X 480)
- OPERATING SYSTEM: WINDOWS XP / VISTA / 7 (32 / 64 BIT)
- REMOTE MONITORING CAPABILITIES VIA LAN, WAN, OR INTERNET
- MULTI SCREEN MONITORING: 1,4,9,16,25, 36 & SPLIT SCREEN
- MULTI-USER AUTHORITY MANAGEMENT SETUP FOR USER ACCESS LEVEL CONTROL
- SUPPORTS MOTION DETECTION TRIGGERED VIDEO RECORDING WITH E-MAIL AND AUDIBLE ALERTS
- NETWORK MANAGEMENT FUNCTIONS INCLUDE: REMOTE SPOT MONITORING, REMOTE HISTORY PLAYBACK, REMOTE SPOT VIDEO RECORDING, REMOTE HISTORY VIDEO RECORDING, ETC
- ZOOM, SNAPSHOT, AND EXE FORMAT BACKUP CAPABILITY
- SUPPORTS LOCAL AND REMOTE PTZ CONTROL
- AND MUCH MORE!



Computer Video

EDV-DVRSTK



DigiVue® USB DVR Stick

- ACCEPTS THE OUTPUT OF ANY QUAD AND RECORDS ALL 4 IMAGES INDEPENDENTLY
- RECORDS SINGLE CAMERAS ON YOUR COMPUTER
- UP TO 640 X 480 RESOLUTION
- RECORDS IN MPEG4 FORMAT
- SOFTWARE CAN ALSO BE USED WITH ANY USB CAMERA
- O.S.: WINDOWS XP / 2000 / VISTA / 7* (32 & 64 BIT)

Converts any PC into a digital video recording system with remote viewing access.

EDV-AVSTK



DigiVue® USB Audio/Video Capture System

- USB 2.0 REQUIRED
- PLUG AND PLAY
- RECORDS IN MPEG4 FORMAT
- ACCEPTS OUTPUT FROM DVD, VCR, AND CAMCORDER
- VIDEO INPUT: RCA COMPOSITE, S-VIDEO
- AUDIO ADAPTER AND CABLE INCLUDED
- ALL SOFTWARE INCLUDED
- O.S.: WINDOWS XP / 2000 / VISTA / 7* (32 & 64 BIT)
- CONVERTS HOME VIDEOS INTO DVDS
- RECORDS TV PROGRAMS ON YOUR COMPUTER
- UP TO 720 X 480 RESOLUTION

EC-PC-CAM



DigiVue® USB Color Camera

- 0 LUX SENSITIVITY
- 380 LINES RESOLUTION
- 6 BUILT-IN IR LED ILLUMINATORS
- USB POWERED
- INCLUDES BUNDLED SOFTWARE

Just connect this camera into your computer's USB port, install the included software, and you are ready to be seen on the web! Compatible with all USB camera applications.

DIGI VUE®

Digital Video Recorders

ECDVR4

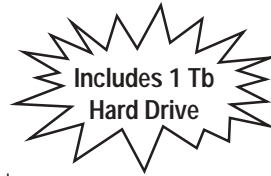
4 Channel DVR



Smartphone Support



- H.264 video compression
- 1 TB capacity hard disc drive
- Built-in web server, multi-DVR client
- TV(BNC)/VGA switchable video output
- Each channel at CIF or 6/7fps at D1 recording
- Easy backup: USB devices, network download
- Up to 4 cameras with SXGA(1280×1024) display
- Smart video detection: MD, camera blank, video loss



Mobile Viewing & Control



I-RAMS IP List Single View PTZ Control

ECDVR8

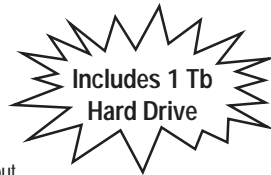
8 Channel DVR



Smartphone Support



- H.264 video compression
- 1 TB capacity hard disc drive
- Built-in web server, multi-DVR client
- TV(BNC)/VGA switchable video output
- Each channel at CIF or 6/7fps at D1 recording
- Easy backup: USB devices, network download
- Up to 8 cameras with SXGA(1280×1024) display
- Smart video detection: MD, camera blank, video loss



Mobile Viewing & Control



I-RAMS IP List Single View PTZ Control

ECDVR16

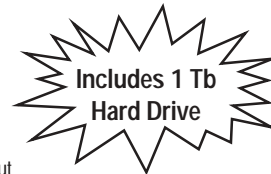
16 Channel DVR



Smartphone Support



- H.264 video compression
- 1 TB capacity hard disc drive
- Built-in web server, multi-DVR client
- TV(BNC)/VGA switchable video output
- Each channel at CIF or 6/7fps at D1 recording
- Easy backup: USB devices, network download
- Up to 16 cameras with SXGA(1280×1024) display
- Smart video detection: MD, camera blank, video loss



Mobile Viewing & Control



I-RAMS IP List Single View PTZ Control

Camera / DVRs

EC-LCDDVR

HD Camera DVR w/ 2.5" Flip Down LCD Screen & IR



Includes Multi-Position
Suction Bracket, Car Power
Cord/Battery Charger,
A/V Cable and
4Gb SD Card

SPECIFICATIONS

- TIME/DATE DISPLAY
- 4 IRLED ILLUMINATOR
- RECORDS HI-RES VIDEO
- PHOTO SNAPSHOT FUNCTION
- FOLD DOWN SCREEN WITH 120° VIEWING ANGLE
- CYCLED RECORDING - 2/5/15 MINUTES PER SECTION
- SUPPORTS UP TO 64 GB SD CARD (4 GB INCLUDED)
- BUILT-IN RECHARGEABLE BATTERY PACK (REPLACEABLE)
- RECORDS VIDEO IN AVI FORMAT AT 720X480; PHOTOS IN JPEG FORMAT AT 1280X960

SYSTEM REQUIREMENTS

- SD CARD (4GB CARD INCLUDED WITH PRODUCT)
- AVI MEDIA PLAYER TO VIEW RECORDED VIDEO FILES
- USB 1.1/2.0

Camera / DVRs

EC-KCDVR

Key Chain Camera DVR



Includes Battery Charger,
USB Cable and 4Gb Micro SD Card

SPECIFICATIONS

- BATTERY LIFE OF APPROXIMATELY 2 HOURS CONTINUOUS RECORDING BEFORE CHARGING
- BUILT IN LITHIUM BATTERY CAN BE CHARGED VIA USB PORT OR INCLUDED AC ADAPTER
- UP TO 90 MINUTES OF AVAILABLE SPACE FOR RECORDED VIDEO AND AUDIO FILES
- REAL TIME AUDIO/VIDEO RECORDING IN AVI FORMAT
- 30 FPS FOR 720X480

SYSTEM REQUIREMENTS

- MICRO SD CARD (4GB CARD INCLUDED WITH PRODUCT)
- AVI MEDIA PLAYER TO VIEW RECORDED VIDEO FILES
- USB 1.1/2.0

EC-MINIDVR

Mini Sports Camera DVR



Includes Battery
Charger, Mounting
Options, USB Cable
and 4Gb Micro SD Card

SPECIFICATIONS

- BATTERY LIFE OF APPROXIMATELY 115 MIN. CONTINUOUS RECORDING BEFORE CHARGING
- UP TO 90 MINUTES OF AVAILABLE SPACE FOR RECORDED VIDEO AND AUDIO FILES
- OPERATING SYSTEM: WINDOWS ME/2000/XP/2003/VISTA; MAC OS 10.4
- INCLUDES AC BATTERY CHARGER AND VARIOUS MOUNTING OPTIONS
- BUILT IN LITHIUM BATTERY CAN BE CHARGED VIA USB PORT
- REAL TIME AUDIO/VIDEO RECORDING IN AVI FORMAT
- 30 FPS FOR 1280 X 960

SYSTEM REQUIREMENTS

- MICRO SD CARD (4GB INCLUDED WITH PRODUCT)
- AVI MEDIA PLAYER TO VIEW RECORDED VIDEO FILES
- USB 1.1/2.0

EC-CHDVR

Clothes Hook Camera DVR



Includes Battery Charger,
USB Cable and 4Gb Micro SD Card

SPECIFICATIONS

- RECORDS HI-RES VIDEO
- RECORDS ON MOTION
- BATTERY LIFE OF APPROXIMATELY 2 HOURS CONTINUOUS RECORDING BEFORE CHARGING
- BUILT IN LITHIUM BATTERY CAN BE CHARGED VIA USB PORT OR INCLUDED AC ADAPTER
- UP TO 90 MINUTES OF AVAILABLE SPACE FOR RECORDED VIDEO AND AUDIO FILES
- REAL TIME AUDIO/VIDEO RECORDING IN AVI FORMAT
- 30 FPS FOR 720X480

SYSTEM REQUIREMENTS

- MICRO SD CARD (4GB CARD INCLUDED WITH PRODUCT)
- AVI MEDIA PLAYER TO VIEW RECORDED VIDEO FILES
- USB 1.1/2.0

EC-MPCDVR

Pen Camera DVR



Includes Battery Charger and
USB Extension Cable

- PC VIDEO PLAYBACK (VIA USB)
- UP TO 90 MINUTES RECORDING MEMORY SPACE
- RECORDING MODES: •CONTINUOUS RECORDING (UNTIL MEMORY IS FULL)
•MANUAL RECORDING (TURN ON/OFF AS NEEDED)
- BUILT-IN RECHARGEABLE LITHIUM-ION BATTERY
- 1-1.5 HR BATTERY LIFE PER CHARGE
- REAL TIME AUDIO/VIDEO RECORDING IN AVI VIDEO FORMAT (640 X 480)
- RECORDING RATE APPROXIMATELY 500KB PER MINUTE
- 4GB INTERNAL MEMORY

SYSTEM REQUIREMENTS

- AVI MEDIA PLAYER TO VIEW RECORDED VIDEO FILES
- USB 1.1/2.0

Camera / DVRs

EC-CLKDVR

Chrome Clock Camera DVR



SPECIFICATIONS

- RECORDS HI-RES VIDEO
- PHOTO SNAPSHOT FUNCTION
- DATA FLASH DRIVE OPERATION
- BRIGHT CHROME FINISH FOLDING CLOCK SUITABLE FOR TRAVEL OR DESK
- SUPPORTS UP TO 16 GB MICRO SD/TF MEMORY CARD (4 GB INCLUDED)
- RECORDS VIDEO IN AVI FORMAT AT 720X480; PHOTOS IN JPEG FORMAT AT 1280X960

SYSTEM REQUIREMENTS

- MICRO SD CARD (4GB CARD INCLUDED WITH PRODUCT)
- AVI MEDIA PLAYER TO VIEW RECORDED VIDEO FILES
- USB 1.1/2.0

Includes Power Supply, USB Cable, and 4Gb Micro SD/TF Card

EC-BCLDVR

Black Clock Camera DVR



SPECIFICATIONS

- RECORDS HI-RES VIDEO
- PHOTO SNAPSHOT FUNCTION
- DATA FLASH DRIVE OPERATION
- BLACK FINISH FOLDING CLOCK SUITABLE FOR TRAVEL OR DESK
- SUPPORTS UP TO 16 GB MICRO SD/TF MEMORY CARD (4 GB INCLUDED)
- RECORDS VIDEO IN AVI FORMAT AT 720X480; PHOTOS IN JPEG FORMAT AT 1280X960

SYSTEM REQUIREMENTS

- MICRO SD CARD (4GB CARD INCLUDED WITH PRODUCT)
- AVI MEDIA PLAYER TO VIEW RECORDED VIDEO FILES
- USB 1.1/2.0

Includes Power Supply, USB Cable, and 4Gb Micro SD/TF Card

EC-MP3DVR

MP3 Player Camera DVR



SPECIFICATIONS

- RECORDS HI-RES VIDEO
- PHOTO SNAPSHOT FUNCTION
- DATA FLASH DRIVE OPERATION
- FUNCTIONING MP3 MUSIC PLAYER CLIPS TO POCKET, LAPEL, ETC.
- SUPPORTS UP TO 16 GB MICRO SD/TF MEMORY CARD (4 GB INCLUDED)
- RECORDS VIDEO IN AVI FORMAT AT 720X480; PHOTOS IN JPEG FORMAT AT 1280X960

SYSTEM REQUIREMENTS

- MICRO SD CARD (4GB CARD INCLUDED WITH PRODUCT)
- AVI MEDIA PLAYER TO VIEW RECORDED VIDEO FILES
- USB 1.1/2.0

Includes 4 GB Micro SD Card, Headphones, and USB Cable

EC-SFDVR

Smiley Face Button Camera DVR



SPECIFICATIONS

- RECORDS HI-RES VIDEO
- RECORDS AUDIO
- PHOTO SNAPSHOT FUNCTION
- DATA FLASH DRIVE OPERATION
- SUPPORTS UP TO 16 GB MICRO SD/TF MEMORY CARD (4 GB INCLUDED)
- RECORDS VIDEO IN AVI FORMAT AT 720X480; PHOTOS IN JPEG FORMAT AT 1280X1024

SYSTEM REQUIREMENTS

- MICRO SD CARD (4GB CARD INCLUDED WITH PRODUCT)
- AVI MEDIA PLAYER TO VIEW RECORDED VIDEO FILES
- USB 1.1/2.0

Includes 4 GB Micro SD Card, Universal Gooseneck Bracket, and A/V Cable

Surveillance Warnings

ECDECAL1



Audio Monitoring Decals

- SELF-ADHESIVE
- LARGE, HIGHLY VISIBLE 4" X 5" SIZE

ECDECAL2



Telephone Monitoring Decals

- SELF-ADHESIVE
- FITS ON THE RECEIVER OF MOST PHONES

ECDECAL3



Video Surveillance Decals

- SELF-ADHESIVE
- LARGE, HIGHLY VISIBLE 4" X 5" SIZE

ECDECAL4



Telephone Monitoring Decals

- SELF-ADHESIVE
- FITS ON THE RECEIVER OF MOST PHONES

ECDECAL5



Audio/Video Surveillance Window Sticker

- SELF-ADHESIVE
- MOUNTS INSIDE WINDOW
- 5.25" X 5.25"

EC-WS1



Small Audio/Video Surveillance Notification Sign

- DURABLE PLASTIC CONSTRUCTION
- ENGLISH AND SPANISH TEXT
- 7" X 9"

EC-WS2



Large Audio/Video Surveillance Notification Sign

- DURABLE PLASTIC CONSTRUCTION
- ENGLISH AND SPANISH TEXT
- 12" X 15"

Weatherproof Color Cameras

EC-624



Outdoor Color Day/Night Camera

- 1/4" CCD IMAGING CHIP
- 0.1 LUX SENSITIVITY
- 6MM F2.0 LENS
- 420 LINES RESOLUTION
- BUILT-IN ELECTRONIC IRIS
- 12VDC / 300MA OPERATION

- OVER 60' INFRARED RANGE

This compact camera automatically switches from color to infrared sensitive black and white in low lighting conditions to provide a viewable image. With the included bracket, it is easily mountable indoors or out.

EC-MINI-IR80



Outdoor Color Long Range IR Illuminated Camera

This is a compact indoor/outdoor 1/3" CCD camera with a built-in long range infrared illuminator in an aluminum environmental housing. The combination of a high IR sensitivity image sensor (3-10x normal sensitivity) with a large IR LED array provide 80 meters of viewing range even in total darkness. 420 lines of resolution and a 20mm telephoto lens lets you take full advantage of the EC-MINI-IR80's long nighttime range.

EC-667NC



Outdoor Color Day/Night Camera

- 1/4" CCD IMAGING CHIP
- 0.1 LUX SENSITIVITY / 4MM LENS
- 420 LINES RESOLUTION
- BUILT-IN ELECTRONIC IRIS
- 12VDC / 300MA OPERATION

- OVER 60' INFRARED RANGE

This compact camera automatically switches from color to infrared-sensitive black and white in low lighting conditions to provide a viewable image. With the included sun-shade and bracket, it is easily mountable indoors or out.

ECWB1-IRB

ECWB1-IRW



Weatherproof Day/Night Color CCD Camera

- 1/4" CCD imaging chip
- 1 Lux sensitivity
- 480 lines resolution
- Over 60 ft infrared range
- 3.6 mm / F1.2 lens
- 12V DC operation

These compact cameras automatically switch from color to infrared-sensitive black and white in low lighting conditions to provide a viewable image. They have 24 LED illuminators that provide a 20 meter (Over 60") IR range. All this in a versatile, weatherproof environmentally pleasing ball housing that is easily adjustable to almost any viewing angle. Available in your choice of black or white housings.

ECWB3-HIRB

ECWB3-HIRW



Weatherproof Day/Night High Resolution Color CCD Camera

- 1/3" Sony CCD imaging chip
- 0 Lux IR on
- 600 lines resolution
- Over 60 ft infrared range
- 6 mm lens
- 12V DC operation

These high resolution, compact cameras automatically switch from color to infrared-sensitive black and white in low lighting conditions to provide a viewable image. They have 24 LED illuminators that provide a 20 meter (Over 60") IR range. All this in a versatile, weatherproof environmentally pleasing ball housing that is easily adjustable to almost any viewing angle. Available in your choice of black or white housings.

EC-597



Mini Weatherproof Digital Color Camera

- 1/4" CCD IMAGING CHIP
- 3.6MM F 2.0 LENS
- 2.0 LUX SENSITIVITY / 420 LINES RESOLUTION
- BUILT-IN ELECTRONICS IRIS
- 12VDC / 140MA OPERATION

This miniature weatherproof camera can mount outdoors without the need of an additional housing or cover. Perfect for any outdoor or wet area application. All this in a compact size (3 1/8" X 7/8").

Video Baluns

EC-VBP1(Pair)



1 To 1 Twisted Pair Video Adapter with Screw Terminals (Pair)

- One unit at camera, one unit at monitor
- Screw terminals for raw cable connection
- High immunity to interference from: Data signals, video signals, power lines, ringing phones, fluorescent lights, transformers, & more
- Transmits B&W video signal 600M (1,900FT) & Color 400M (1,300FT)

EC-VBP3 (Pair)



1 To 1 Twisted Pair Video Adapter with Screw Terminals (Pair)

- One unit at camera, one unit at monitor
- Screw terminals for raw cable connection
- BNC on flexible wire lead for easy camera/monitor access
- High immunity to interference from: Data signals, video signals, power lines, ringing phones, fluorescent lights, transformers, & more
- Transmits B&W video signal 600M (1,900FT) & Color 400M (1,300FT)

Video Baluns

EC-VBP4 (Pair) 1 to 1 Modular Cat-5E Video & Power Adapter (Pair)



- One unit at camera, one unit at monitor
- RJ45 modular jack for CAT-5E cable connection
- 2.1mm power supply jack (Monitor end) & plug (Camera end)
- High immunity to interference from: Data signals, video signals, power lines, ringing phones, fluorescent lights, transformers, & more
- Transmits B&W video signal 600M (1,900FT) & Color 400M (1,300FT)

Mini Color Cameras & Lenses

EC-592



Color Dat/Night Mini Dome Camera

- 1/4" CCD IMAGING CHIP
- 0.1 LUX SENSITIVITY
- 420 LINES RESOLUTION
- BUILT-IN ELECTRONIC IRIS CONTROL
- 12VDC / 100MA OPERATION

This compact camera is housed in a clear dome. It surface mounts to walls or ceilings. Camera will automatically switch from color to B&W in low light to maintain image. Its small size (only 2.9" X 3.4") and neat appearance make this camera ideal for stores, schools, offices, etc.

ECMD-01



Micro Dome Color Camera

- CLEAR DOME
- CMOS IMAGING CHIP
- 1.5 CMOS IMAGING CHIP
- 420 LINES RESOLUTION
- 12VDC / 100MA OPERATION
- SWIVEL AND PIVOTING CAMERA MOUNT INCLUDED

This miniature dome camera mounts on the wall or ceiling. Its contemporary styling and small size (2" X 2") makes it ideal for offices and other public spaces.

ECMP-02



Ultra-Micro Color Camera with Pinhole Lens & Audio

- BUILT-IN MIC
- CMOS IMAGING CHIP
- 1.5 CMOS IMAGING CHIP
- 420 LINES RESOLUTION
- 12VDC / 100MA OPERATION

This tiny camera is small enough to mount anywhere. Its small size (5/8" X 5/8" X 5/8") makes it easy to conceal.

ECMS-06



Micro Color Camera with 3.6mm Lens

- SILVER FINISH
- CMOS IMAGING CHIP
- 1.5 CMOS IMAGING CHIP
- 420 LINES RESOLUTION
- 12VDC / 100MA OPERATION
- MOUNTING BRACKET INCLUDED

This economical miniature camera has an unobtrusive shape and small size (1 1/2" X 1" X 1 1/4") making it perfectly suited for a wide range of applications.

EC-594P



Super-Mini Color Camera with Pinhole Lens

- 1/4" CCD IMAGING CHIP
- 1.0 LUX SENSITIVITY
- 420 LINES RESOLUTION
- BUILT-IN ELECTRONIC IRIS
- 12VDC / 100MA OPERATION

This tiny, easily concealed camera goes where others can't. Its pinhole lens needs only a 1/8" hole to view through. Only slightly larger than a postage stamp (1.1" X 1.1" X .5") enables mounting virtually anywhere.

EC-594N



Super-Mini Color Camera with 3.6mm Lens

- 1/4" CCD IMAGING CHIP
- 0.9 LUX SENSITIVITY
- 420 LINES RESOLUTION
- BUILT-IN ELECTRONIC IRIS
- 12VDC / 100MA OPERATION

This tiny, easily concealed camera goes where others can't. Only slightly larger than a postage stamp (1 3/8" X 1 3/8" X 7/8") enables mounting virtually anywhere.



Optional Standard Optic Mini Camera Lenses

EC-ML18	1.8mm	EC-ML4	4mm
EC-ML24	2.45mm	EC-ML6	6mm
EC-ML26	2.6mm	EC-ML8	8mm
EC-ML29	2.9mm	EC-ML12	12mm

Threaded mount will replace lens on any non-pinhole mini camera shown.

CCTV Accessories

EC-703



2 Page / 8 Camera Real-Time Color Quad

- FREEZE FRAME
- ON SCREEN DISPLAY
- DUAL VIDEO OUTPUTS
- SEQUENTIAL SWITCHER FUNCTION
- INDIVIDUAL INPUT GAIN ADJUSTMENTS
- SINGLE CAMERA CALL UP TO FULL SCREEN

Display 1,2,3,4 or 8 cameras on the same monitor at the same time or sequentially displayed one after another.

ECMIC1



Microphone Module With Pre-Amp

- VOLTAGE - 8-16VDC
- OUTPUT IMPEDENCE - 47K OHMS
- OUTPUT SENSITIVITY - 60DB--3DB
- FREQUENCY RESP. - 100HZ - 1,000Hz

Add audio to any line level Input: mixers, power Amps, PCs, DVRs, VCRs, etc.

CLUBCAM® Low Light Color Cameras

EC-CLUBCAM1



Brilliant Color in Low Light with NO LEDS

Our CLUBCAM series of cameras provide brilliant color video surveillance in low light conditions without the need for IR illumination. Perfect for bars, clubs, restaurants and any area where normal lighting is not present. Our Night Vision Technology eliminates the need for traditional LED illuminators.

- Night Vision Technology - True Color even at 0.01 lux
- Night time protection for your home or business.
- NO LEDS to give away camera location

EC-CLUBCAM2



Picture Element	NTSC: 510(H) 492(V)
Horizontal Resolution	420 lines
Lens	4mm
TV System	NTSC (Pal Available)
Minimum Illumination	0.01 Lux
Auto Electronic Shutter	NTSC: 1/60s - 1/100,000s
IR Sensitivity	3 to 10x greater than normal
S/N Ratio	More than 48db
Video Output	1.0V p-p, 75 BNC connector
Gain Control	Automatic
White Balance	Automatic
Back Light Compensation	Automatic
Synchronous System	Internal
Operating Temperature	14° to 122° F
Power	12V DC, 110 mA

EC-CLUBCAM4



EC-CLUBCAM5W



Available Models:

EC-CLUBCAM1	Indoor model in a 2" x 2" x 2" black case
EC-CLUBCAM2	Outdoor model in a weatherproof housing
EC-CLUBCAM4	Outdoor model in a compact weatherproof dome housing
EC-CLUBCAM5	Indoor/Outdoor model in a white environmental ball housing

Vandal Resistant Dome Enclosures

ECVD-302



Dome Enclosure with Wall Mount Bracket

- CAMERA HOUSING MOUNTED 90° TO WALL
- CONSISTS OF ECBV-01 AND ECVD-301
- DIMENSIONS: 5"H X 5.5"W X 6.75"D
- INCLUDES CAMERA BRACKET

ECVD-301



Dome Ceiling Mount Housing

- INCLUDES CAMERA BRACKET
- DIMENSIONS: 4"H X 4.5"W
- COMPATIBLE WITH ECBV-01 WALL BRACKET

ECVB-01



Universal Wall Mount Bracket for Dome Camera

- MOUNTS CAMERA HOUSING 90° TO WALL
- DIMENSIONS: 5"H X 5.5"W X 6.75"D
- COMPATIBLE WITH ECVD-301 DOME HOUSING & OTHERS

Color Cameras - PTZ

EDV-PTZ600DN

DigiVue® Pan / Tilt / Zoom High Speed Dome Camera



The DigiVue® Dome camera has been designed with size in mind. Its 8 inch dome makes it suitable for almost any application including all day/night and environmental conditions. A heater and blower system are integrated in the dome housing enabling clear viewing in adverse weather conditions. The revolutionary DigiVue® Dome camera comes in a conveniently small, easy to install unit that includes camera, zoom lens, pan/tilt and receiver.

- High Sensitive 1/4" SONY Super HAD CCD
- Built in Auto Focus / Auto Iris
- 22x Optical Power Zoom Lens
- 10x Digital Zoom (220x Zoom)
- Day Night (Digital Slow Shutter)
- 600 Lines Resolution
- 360° Continuous Pan Rotations
- 240° / sec Pan, 90° / sec Tilt
- Built-in OSD Function*
- Multiple RS-485 (RS-422) Protocol DigiVue®, Pelco D, Panasonic, Kalatel and Sony
- Alarm Input and Output
- 64 Maximum Preset Position Programming*
- Maximum Connection 255

Elyssa PT and PTZ cameras can be controlled with DigiVue® cards, Pelco D controllers and compatible DVRs.

PTZ Controller

EDV-MINICTRL

DigiVue® Mini Pan / Tilt / Zoom Controller



This is a compact (2.7"H x 5.5"L x 5.6"W) attractive 5-function desktop keyboard style dome camera controller (Controls: Pan, tilt, zoom, focus, & iris functions). It utilizes point-to-multipoint semi duplex communication between keyboard and dome-camera. An RS485 interface provides control of up to 32 cameras at a maximum distance of 1200m at baud rates of: 2400, 4800, & 9600 Bps.

PTZ Accessories

EC-PTZWMB

DigiVue® High Speed Dome Wall Mount



Heavy duty die cast, powder coated metal bracket permits mounting of EDV-PTZ600DN high speed dome camera in wall mount configuration. Wiring channel provides completely internal wire access to camera for total wiring security.

EDV-PTZPB20

DigiVue® High Speed Dome Pendant Mount Bracket

EDV-PTZPB40

These mount brackets adapt DigiVue® speed dome cameras from the included wall mount to a pendant mount which can be suspended from a ceiling or overhang. The pendant mount brackets come with either a 20 cm (EDVPTZ-PB20 - approx. 8") or 40 cm (EDVPTZ-PB40 - approx. 16") relief from overhead surface.



EDV-PTZ-CM

Drop Ceiling Bracket For DigiVue® Speed Domes



Heavy duty die cast, powder coated metal bracket permits mounting of EDV-PTZ600DN high speed dome camera in semi-recess configuration in drop ceilings. Dual plate design "sandwiches" ceiling tile for secure and attractive mount. Requires minimum 5.5" above tile.

EC-USB-RS232

Cable Interface



A simple compact solution to port compatibility issues. Completely self contained cable interfaces USB (1.1 & 2.0) with RS232 output requirements (DB25 or DB9). Provides over 1Mbps transfer rate. Supports wake-up and power management. Compatible with Windows 98/SE/ME/2000/XP operating systems.

EC-USB-RS485

Cable Interface



A straightforward solution to port compatibility issues. Consists of connecting cable, DB9 to screw terminal interface, and driver software. USB (1.1 & 2.0) with RS232 output requirements (DB25 or DB9). Provides over 1Mbps transfer rate. Supports wake-up and power management. Compatible with Windows 98/SE/ME/2000/XP operating systems.

Color Cameras and Lenses

EC-DN585



Day / Night Color Digital CCD Camera

Number of Pixels:	510 x 492 (H x V) NTSC 500 x 582 (H x V) PAL	Iris Control:	DC/Video selectable
Resolution:	420 TV lines	Backlight Comp.:	On/Off switchable
S/N Ratio:	More than 48dB (AGC off)	Gain Control:	SAGC/NAGC switchable
Electronic Shutter:	1/60 (1/50) to 1/100,000 sec	Imager:	1/3" Sony SuperHAD CCD
Gamma Correction:	0.45	Power Consumption:	2.5W Max.
Sync System:	Internal	Dimensions:	56mm x 50mm x 135mm(W x H x D)
Lens Mount:	CS Mount	Minimum Illumination:	0.1 lux @ F1.2



DC Auto-Iris, CS Mount, Manual Zoom

EC-V2812DC	• 2.8 - 12MM, F1.4, 4.2X
EC-V3314DC	• 3.3 - 8MM, F1.4, 2.3X
EC-V0616DC	• 6 - 60MM, F1.6, 10X



Manual Iris, CS Mount, Manual Zoom

EC-V2812	• 2.8 - 12MM, F1.4, 4.2X
EC-V3314	• 3.3 - 8MM, F1.4, 2.3X



No Iris, CS Mount, Manual Zoom

EC-V3314NI	• 3.3 - 8MM, F1.4, 2.3X
------------	-------------------------

Voice Logger

EDVL-08



DigiVue® Digital Voice Logger Telephone Recording System

INCLUDED SOFTWARE:

- 8 & 16 CHANNEL RECORDING SYSTEMS
- RECORD EXTENSIONS & CO LINES
- DIGITALLY RECORD 8 CHANNELS PER CARD - 16 CHANNELS WITH BASIC SOFTWARE AND UP TO 128 CHANNELS WITH PROFESSIONAL KEY AND ADDITIONAL CARDS
- LINE MONITORING THROUGH MAIN COMPUTER
- EASY PLAYBACK CONTROLS
- WAV FILE BACKUP
- O.S.: WINDOWS XP*

DigiVue's Voice Logging System with an 8 channel PCI card and basic software

*Windows & Windows XP are registered trademarks of Microsoft Corporation

EDVL-LM-VAGC DigiVue® Voice Logger Detector



- 2M OHM REC LINE VOLTAGE DETECT, AGC
- FOR RECORDING CO LINES, EXTENSIONS, HANDSETS, AND MICROPHONES (WITH PROFESSIONAL SOFTWARE)

EDVL-PS



DigiVue® Voice Logger Professional Software Key

ADDS THE FOLLOWING FEATURES:

- BACKUP AND FORMAT CONVERTERS
- MULTIPLE TYPE WAV FILE BACKUPS
- AUTOMATICALLY SCHEDULED BACKUPS
- EXPANDED SEARCH AND REPORT CAPABILITY
- EXPANDABLE UP TO 64 AND 128 CHANNELS
- REQUIRED FOR USE OF REMOTE CLIENT SOFTWARE
- ONLY ONE INSTALLATION OF PROFESSIONAL SOFTWARE IS REQUIRED PER COMPUTER FOR ANY NUMBER VOICE LOGGER CARDS INSTALLED
- LINE MONITORING OVER THE INTERNET AND INTERNET RECORDS ACCESS
- WEEKLY SCHEDULING SETUP BY DAYS AND HOURS FOR EACH CHANNEL (LINE MONITOR & INTERNET ACCESS REQUIRE USE OF REMOTE CLIENT KEY)
- 1 KEY REQUIRED PER SYSTEM / 1 KEY REQUIRED FOR EACH CLIENT

EDVL-CS

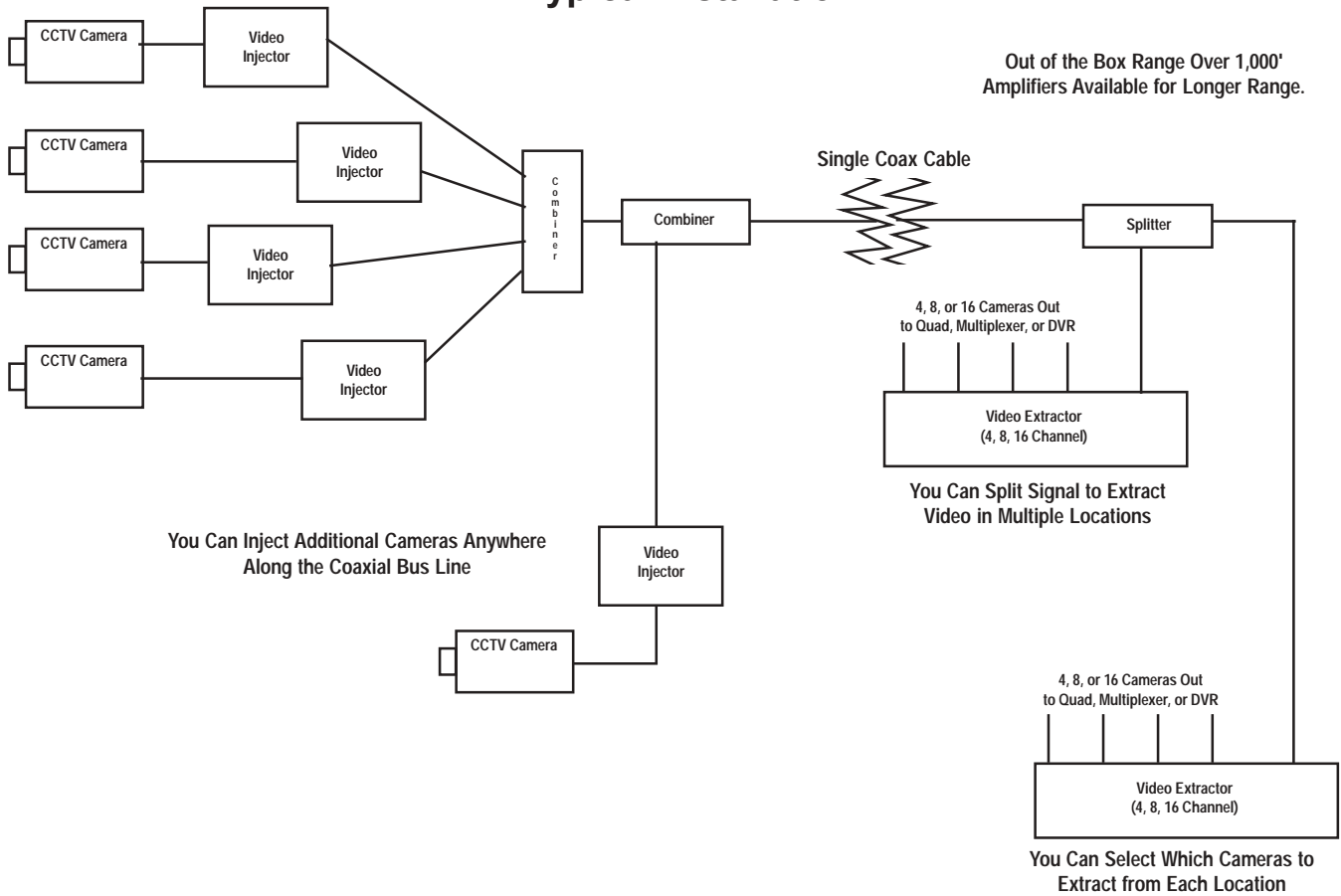


DigiVue® Voice Logger Remote Client Software Key

- REMOTE TELEPHONE SEARCH
- LINE MONITORING OVER THE INTERNET
- INTERNET ACCESS TO REVIEW RECORDS
- REQUIRES INSTALLATION OF PROFESSIONAL SOFTWARE
- 1 KEY REQUIRED PER CLIENT

CCTV Camera Injector/Extractor System

Single Coax Multi-Camera Injector/Extractor System Typical Installation



EC-VIDI-X Single Channel Video Injector

(X=Channel #, please specify)



- ADJUSTABLE GAIN FOR TROUBLE FREE TRANSMISSION ON LONG WIRE RUNS
- ENCODES RAW VIDEO SIGNAL FOR SEPARATE EXTRACTION FROM THE COAX BUS

EC-VIDE-4 (4 Cam) Multi-Channel Video Extractor

EC-VIDE-8 (8 Cam)

EC-VIDE-16 (16 Cam)



- DECODES INDIVIDUAL CAMERA SIGNALS FROM COAX BUS
- TUNEABLE - SELECT ONLY THE CAMERAS DESIRED FOR VIEWING IN EACH LOCATION

ES-2 (2 Cam) Camera Splitter/Combiner

ES-4 (4 Cam)

ES-8 (8 Cam)



- DUAL GROUNDING BLOCKS BUILT-IN
- DC PASSIVE (UP TO 24V/1A) TO ALL PORTS
- 75 OHM FEMALE "F" CONNECTOR ON ALL PORTS
- WEATHERPROOF NICKEL PLATED ZINC CONSTRUCTION

RF and A/V Cables and Accessories

MOD-1-IRST



Stereo RF Modulator, Frequency Agile with Single Input

- IR CONTROL FEED THRU
- MODULATES TO TV CHANNELS (14-79) OR CABLE CHANNELS (65-135)
- ANTENNA INPUT

True Stereo

ECMA-20



20dB Broadband In-Line RF Amplifier

- SUPER CLEAN OUTPUT
- FREQUENCY RANGE: 20MHZ TO 1GHZ FOR UHF/VHF/FM/CATV
- COAXIAL POWER CONNECTION FOR LONG NOISE FREE RUNS

The ECMA-20 is a two part in-line RF amplifier for all TV applications. The amplifier section is weatherproof for outdoor applications. High (20dB) gain & exceptionally clean operation makes it ideal for most small to medium antenna/cable systems.

F-F MATV & CATV Hook-Up Cables



ALL AVAILABLE IN BLACK OR WHITE

RG59/U CABLE:

- EFC-503 3 FEET
- EFC-506 6 FEET
- EFC-512 12 FEET
- EFC-525 25 FEET
- EFC-550 50 FEET
- EFC-510 100 FEET

RG6/U CABLE:

- EFC-603 3 FEET
- EFC-606 6 FEET
- EFC-612 12 FEET
- EFC-625 25 FEET
- EFC-650 50 FEET
- EFC-675 75 FEET
- EFC-610 100 FEET

BNC-BNC CCTV & HDTV Hook-Up Cables



- EBC-503 3 FEET
- EBC-506 6 FEET
- EBC-512 12 FEET
- EBC-525 25 FEET
- EBC-550 50 FEET
- EBC-510 100 FEET

Combination Power and Video Cables



These superior quality, low loss cables allow you to connect a camera with just one cable. Perfect for easy, trouble-free installations with out the need for soldering or crimping.

- EC-VPC25 25ft combination cable - white
- EC-VPC50 50ft combination cable - white
- EC-VPC100 100ft combination cable - white

Coaxial Cable Connectors



"F" CONNECTORS WITH ATTACHED CRIMP RINGS

- EC-F59AL LONG NECK FOR RG-59/U
- EC-F59ALTBP TIN PLATE BRASS LONG NECK FOR RG-59/U



MALE TWIST-ON "F" CONNECTORS

- EC-1107 RG-6U
- EC-1108 RG-59U



MALE TWIST-ON BNC CONNECTORS

- EC-1004 RG-59U



MALE 2-PIECE BNC CONNECTORS

- EC-1019 RG-59U



MALE COMPRESSION RCA CONNECTORS

- EC-655C RG-59U

RF and A/V Cables and Accessories



Coaxial Cable Adaptors

- EC-1055 "F" FEMALE TO BNC MALE ADAPTOR
- EC-1057 RCA FEMALE TO BNC MALE ADAPTOR
- EC-1058 BNC FEMALE TO RCA MALE ADAPTOR
- EC-1059 BNC TO BNC FEMALE UNION
- EC-1061 (1) BNC FEMALE TO (2) BNC FEMALE "TEE"
- EC-1063 (1) BNC MALE TO (2) BNC FEMALE "TEE"
- EC-1122 "F" TO "F" FEMALE UNION
- EC-1126 "F" SCREW-ON TO "F" PUSH-ON ADAPTOR
- EC-1131 "F" FEMALE TO RCA MALE ADAPTOR

Krystal Klear

Krystal Klear Premium Oxygen Free Audio/Video Cables

Krystal Klear audio cables are made to perform. They are made of highly flexible, kink free cable with large deeply knurled connectors with gold plated contact points. Oxygen free, corrosion resistant wire and premium shielding combine for long term noise free operation. These A/V cables give the highest performance for dubbing or component hook-up in consumer, CCTV, or commercial applications.

2 CONDUCTOR COMPOSITE CABLES

- KK2-RAV1.5 1.5 FEET
- KK2-RAV06 6 FEET
- KK2-RAV12 12 FEET
- KK2-RAV20 20 FEET



3 CONDUCTOR COMPOSITE CABLES

- KK3-RAV03 3 FEET
- KK3-RAV06 6 FEET
- KK3-RAV12 12 FEET
- KK3-RAV25 25 FEET

RGB COMPONENT CABLES

- KK-RGB-12 12 FEET
- KK-RGB-25 25 FEET

RGB COMPONENT CABLES WITH STEREO AUDIO

- KK-RGB-A12 12 FEET



S-VIDEO CABLES WITH STEREO AUDIO

- KK-SVA-A03 3 FEET
- KK-SVA-A06 6 FEET
- KK-SVA-A12 12 FEET
- KK-SVA-A25 25 FEET

Test Equipment

EPT-6877

Multi-Function Pocket Size Electrical / Electronic Tester



- AC VOLTAGE TEST
- CONTINUITY CHECK
- AC FAULT DETECTOR
- DC VOLTAGE & POLARITY TEST
- MICROWAVE LEAKAGE DETECTION



**OEM & ODM
WELCOME**

Our R&D team, production capability and strong communication skills will bring your concept into reality.



www.elyssacorp.com
www.digivue.com

Elyssa Corporation
Briarcliff Manor, NY 10510
800-441-9122. Fax: 800-335-5933